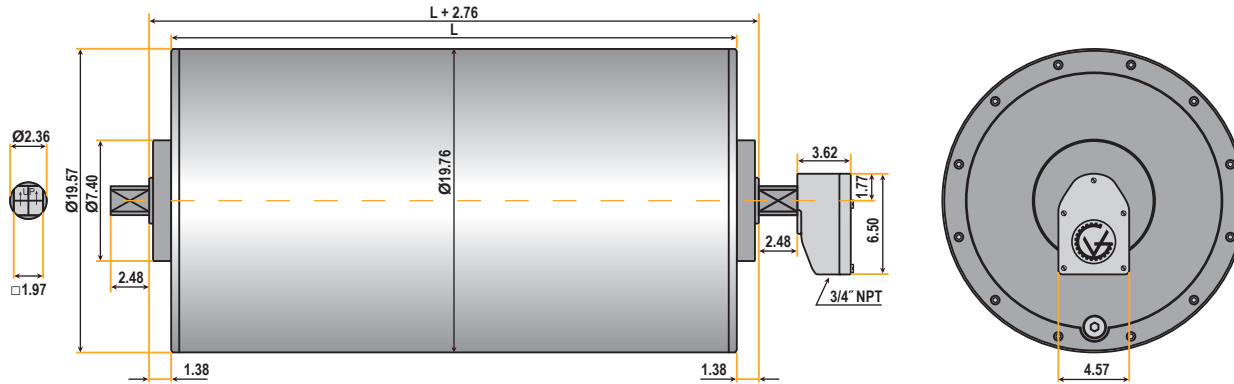


TM500A60 SERIES

(20.0" diameter)

DIMENSIONS (in inches)

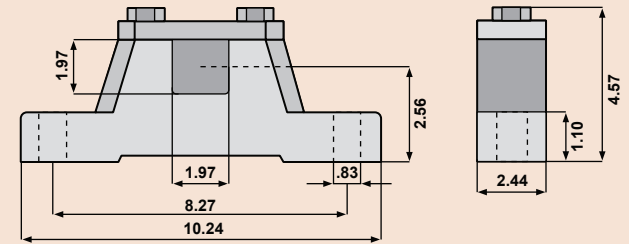
TM500A60 Drum Motor (matching Idler KT500A60**)



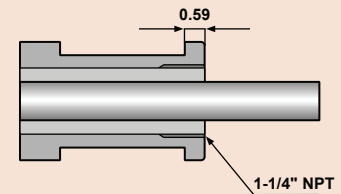
Standard face widths* (L) in inches:

23.62	25.59	27.56	29.53	31.50	33.46	35.43	37.40	39.38
41.34	43.31	45.28	47.24	49.21	51.18	53.15	55.12	57.09
59.06								

Bracket AB 60



Optional Cable Type



Note: When Optional Cable Type is selected, the minimum face width (L) increases by 3.94 inches.

*Some face widths are not available in all horsepower. For minimum available face widths refer to TM500 Specifications.

**Idler dimensions are identical to the drum motor with no junction box.

