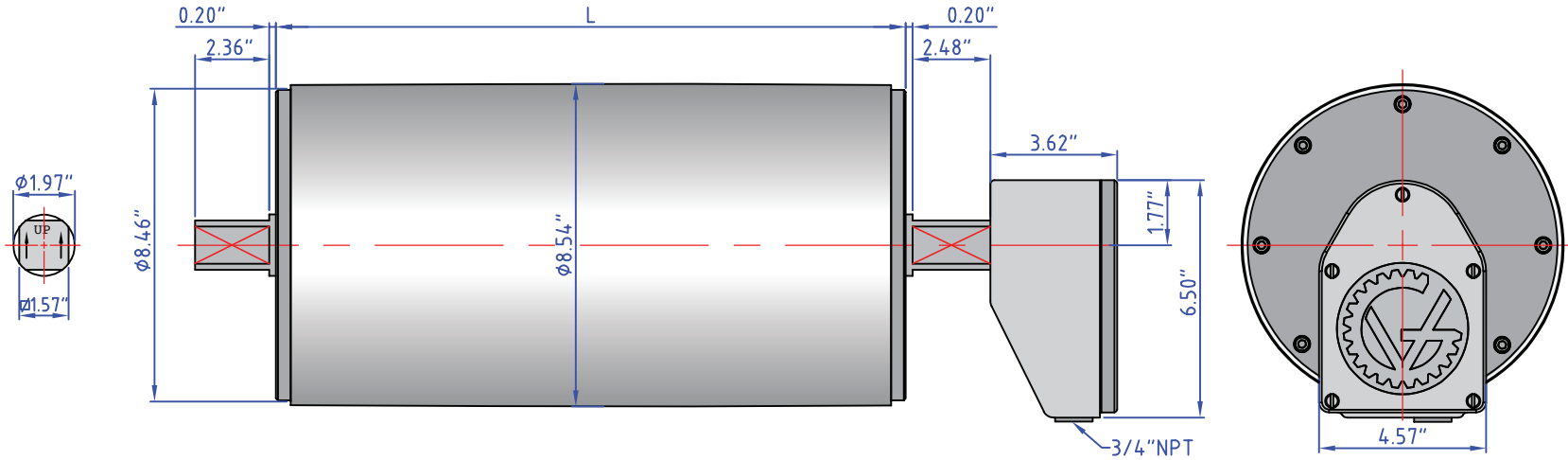


TM215B50 Drum Motor (maching Idler KT215B50\*\*)



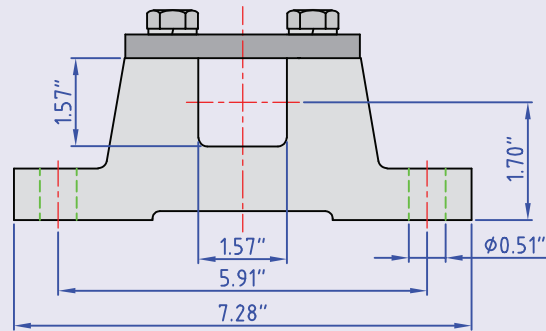
Standard drum motor face widths\* (L) in inches:

19.69	21.65	23.62	25.59	27.56	29.53	31.50	33.46	35.43
37.40	39.37	41.34	43.31	45.28	47.24			

\*Some face widths are not available in all horsepower. For minimum available face widths: [Click Here to View Chart.](#)

\*\*Idler dimensions are identical to the drum motor with no junction box.

Brackets: 215-AB50



Cable Option:

