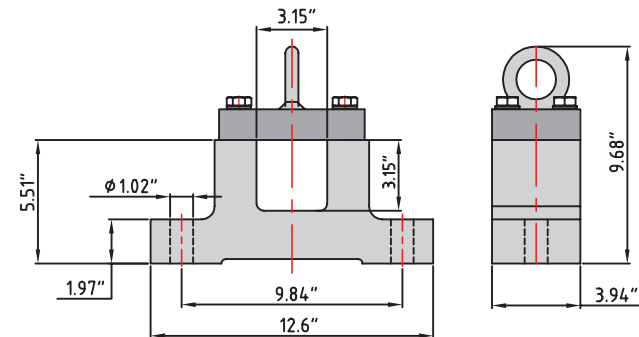


Standard face widths\* (L) in inches:

- 38.0    44.0    50.0    56.0    62.0    68.0    74.0

**Bracket AB 100**



\*Some face widths are not available in all horsepower. \*\*Idler dimensions are identical to the drum motor with no junction box. For minimum available face widths refer to Extreme-duty Catalog page 12.