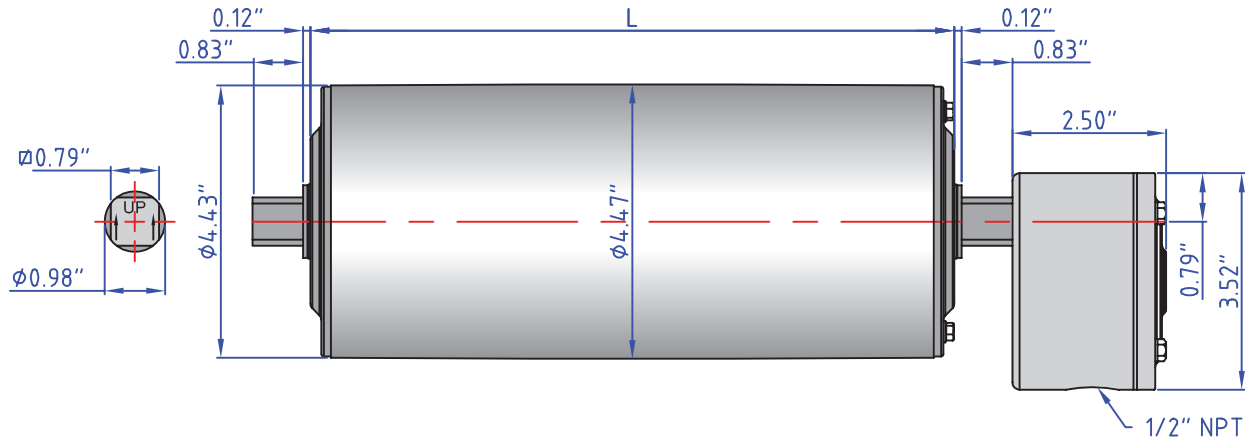


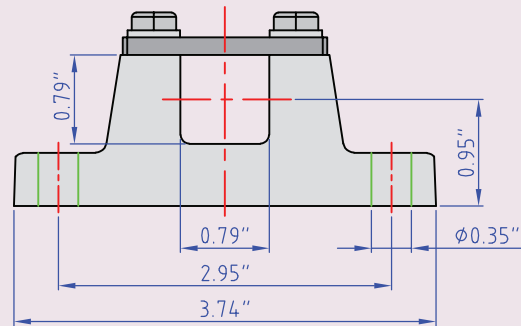
TM113B25 Drum Motor (maching Idler KT113B25**)


Standard drum motor face widths* (L) in inches:

10.24	10.83	12.20	14.17	16.14	18.11	20.08	22.05	24.02	25.98
27.95	29.92	31.89	33.86	35.83	37.80	39.76	41.73	43.70	45.67

*Some face widths are not available in all horsepower. For minimum available face widths: [Click Here to View Chart](#).

**Idler dimensions are identical to the drum motor with no junction box.

Brackets: 100-AB20

Cable Option:
